

Features

WASH CYCLE

REGULAR WASH consists of 15 minutes of agitation. You may set the timer knob at any point between 3 to 15 minutes for complete flexibility.

GENTLE WASH consists of alternating short periods of agitation and soaking. This method insures gentle handling. Gentle cycle is used with delicates or blankets & spreads that require special treatment.

The extended pauses are part of the cycle. The timer is not malfunctioning. Do not turn the timer through these pauses.

SOAK-TO-WASH eliminates the inconvenience of wash tub soaking of stained clothes before the wash cycle. Soak-to-Wash provides a 30 minute soak which automatically proceeds into a 15 minute wash without pump out of wash water. Brief periods of agitation are used to thoroughly dissolve detergent. Liquid dispenser is used only if fabric softener is desired in the rinse cycle.

Soak-to-Wash must be selected on the **TIMER**. The **TEMPERATURE** selector should be on **HOT/COLD, WARM/COLD,** or **COLD/COLD**. If desired, use liquid dispenser for fabric softener.

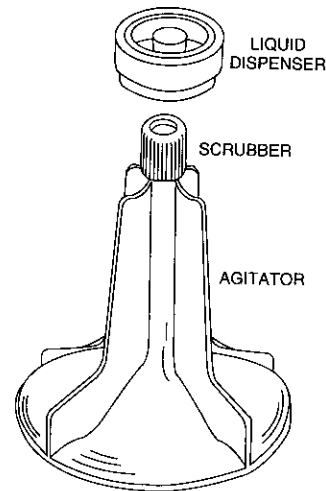
STAIN-CLEANER CYCLE:

Eliminate the need for prespot products while providing comparable stain removal performance. Add liquid or granular detergent (step 2), then place liquid detergent in the liquid dispenser (step 4). Clothes soak for 30 minutes with several brief periods of agitation. Water is spun out and clean wash water is added along with detergent for a 15 minute wash.

Stain-Cleaner must be selected on both the **TEMPERATURE SELECTOR** and on

the **TIMER KNOB**. Otherwise, the detergent will be spun out in the rinse water.

Stain-Cleaner provides a hot water soak, hot wash, and a cold rinse. It also provides fast agitation and spin speeds. This cycle can be used for diapers, baby formula, cosmetic stains, and most oil based stains.



LINT FILTERING SYSTEM (AUTOMATIC)

The Lint Filtering system does not require cleaning.

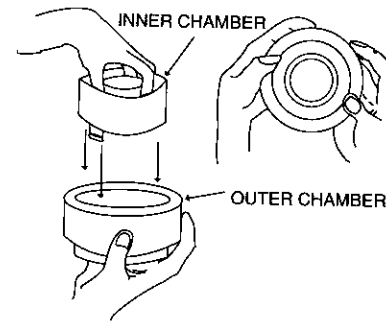
Wash and rinse water is filtered and re-filtered continuously to trap lint shed by most fabrics during agitation cycle before it can be re-deposited on the wash load. The engineered hole design on the wash basket in conjunction with water flow produced by the agitator traps lint away from the clothes between the inner wash basket and outer tub. Lint is automatically flushed from the washer during the spin cycle.

SCRUBBER

The Scrubber, located on the agitator, can be used for pre-treating heavily soiled items. Use a paste made from detergent and water and apply to the soiled area. Work the paste in by moving

the material back and forth over Scrubber surface. The Scrubber is most helpful in treating soil on necklines, socks, and knees of trousers.

LIQUID DISPENSER



The dispenser may be used for fabric conditioner with regular cycles or liquid detergent with the Stain-Cleaner cycles. Dispenser should be cleaned after use of liquid detergent.

Following the manufacturer's instructions, pour a measured amount of liquid into inner chamber to fill line only. If liquid used comes below line, add water. The dispenser will release the liquid at the appropriate time in the cycle.

If it becomes necessary to clean dispenser, hold dispenser with bottom side up and push inward on tabs. You are then able to clean both parts using warm water and a brush if necessary.

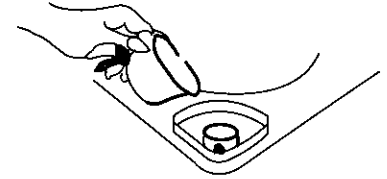
To reassemble, hold both pieces in an upright position. Insert the inner chamber into outer chamber using ribs to position parts. Rotate until a stop is felt. Push parts together firmly to engage locking tabs.

LIQUID BLEACH DISPENSER

A convenient Bleach Dispenser is built into your washer which makes it easy and safe to use liquid chlorine bleach when it is needed. See Laundering Guide for full information on use of bleach. Load the Dispenser (maximum

one cup) **BEFORE YOU LOAD THE CLOTHES INTO THE WASHER.**

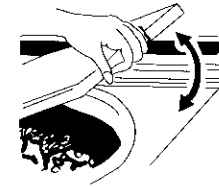
The Bleach Dispenser is located at the left front corner of the door opening on the cabinet top.



The Bleach Dispenser requires no special care for cleaning. However, to avoid damage to chromed and painted surfaces, any spilled bleach should be rinsed off immediately with clean water.

SAFETY SPIN

If for any reason you open the washer lid when the washer is in a **SPIN** or **EXTRACT** period, the operation will immediately stop. **THIS IS FOR YOUR PERSONAL SAFETY, IF YOUR WASHER DOES NOT STOP, CALL YOUR SERVICEMAN IMMEDIATELY.**



When the lid is closed, the operation will automatically be resumed.

SPIN DRYING

UNBALANCED SPIN LOAD COMPENSATOR

Your new washer is designed to handle out-of-balance loads without shutting down or interrupting the washing cycle.

For this reason, the cycle will always be completed. Heavier fabrics in such out-of-balance loads may contain excessive moisture at the completion of the cycle, redistribute the clothes in the washer and reset the Cycle Control for an extra spin.

OVERLOAD PROTECTOR

A built-in protector automatically shuts off the washer motor in case of an overload. This can occur if:

- Too heavy a load is being washed.
- Too many appliances are plugged into the line operating your washer.
- A low voltage condition exists on the line.
- Lid is opened and closed repeatedly.

The overload protector permits the washer to start again when the motor has cooled to a safe operating temperature.

If the motor stops repeatedly, call your service technician.

CARE

1. Check hoses to be sure there are no kinks or knots.
2. Your washer should not be installed or stored where temperature will go below freezing, as damage to the washer could result.
3. Occasionally wipe exterior with a clean damp sponge or cloth. Polish with a soft dry cloth.
4. Lifetime lubrication is done at the factory, so your washer never needs to be oiled or greased.
5. Do not lay heavy or sharp objects on top of your washer.
6. The top of the washer should not be used for removing stains from garments. Some stain removers, such as rust remover, will mar the finish.

7. Remove pins, buckles or other sharp objects from clothes to prevent scratching interior parts.
8. Clothes should not be stored in washer.
9. Bleach, detergent, solvents, etc. spilled on the top of your washer that are allowed to remain will remove the glossy finish. Remove all spills with a damp, soft cloth.
10. If you close your home for the winter, have a serviceman drain the washer. Unplug cord from electric outlet and disconnect hoses from faucets.

Before You Call Service

CHECK THESE THINGS BEFORE YOU CALL.

If the water won't drain:

- is the hose kinked or knotted?
- is the drain outlet clogged?

If the washer does not fill:

- is the electrical cord plugged in correctly?
- has a fuse blown or is the circuit breaker tripped?
- is the timer dial pulled out?
- are the hot and cold water faucets turned on?
- are the hoses kinked or knotted?
- are the hose filters clogged?
- is the timer dial set properly (not in the off position)?

Turn off, let stand for 30 minutes then restart. Motor thermal protector may have engaged.

If the water temperature is incorrect:

- is the temperature switch set correctly?
- are the hoses connected to the correct faucets (hot to hot, cold to cold)?
- are the hot and cold faucets turned on?
- is water heater set correctly?

If the washer is noisy:

- is the washer level and firm to the floor?
- is the load unbalanced? (excessive vibration can occur when a load becomes unbalanced).

If the washer does not spin:

- is the lid closed?
- is the electrical cord plugged in correctly?
- has a fuse blown or is the circuit breaker tripped?

If the water is leaking:

- are the hose connections tight at the faucets?
- is end of drain hose correctly inserted in and secured to drain facility?

KEY FACTS: AUTOMATIC WASHERS

BRAND NAME: MAGIC CHEF
MODEL NO. W227L
TYPE: TOP LOADING

DIMENSIONS:

Cabinet Height:	36" (91.4 cm)
w/Backguard:	44" (111.7 cm)
w/Lid Open	54" (137.2 cm)
Width:	27" (68.5 cm)
Depth:	27" (68.5 cm)

ELECTRICAL REQUIREMENTS:

Volts:	120V
Amps:	11.5
Hertz:	60 Hz
Three-prong grounding receptacle:	Yes
Fuse Size:	15 amp. time delay

Water Consumption/Normal Cycle
(maximum and minimum fills)
Max - 47 Gal. Min - 20 Gal.

Description of water temperature selection:

3 combinations
Hot Wash—Cold Rinse
Warm Wash—Cold Rinse
Cold Wash—Cold Rinse

Number, types of—
Spin speeds:

Fast -	600 R.P.M.
Slow -	400 R.P.M.
Wash speeds:	Fast - 68 O.P.M.
	Slow - 44 O.P.M.

4 Speed Combination:

Cotton & Linen:	
FAST/FAST	68 O.P.M. - 600 R.P.M.
SLOW/FAST	44 O.P.M. - 600 R.P.M.
PERMA PRESS:	
SLOW/SLOW	44 O.P.M. - 400 R.P.M.
FAST/SLOW	68 O.P.M. - 400 R.P.M.

FINISHES -

Wash Basket:	Polypropylene
Collector Tub:	Polypropylene
Top Surface:	Organic Finish
Loading Door:	Organic Finish
Cabinet:	Painted

Dispensers Available (indicate yes or no)

Detergent	No
Bleach	Yes
Liquid Dispenser	Yes

WEIGHT: 192 lbs.

Listed by Underwriters Laboratories

Safety Precautions

IMPORTANT SAFETY INSTRUCTIONS FOR THE OPERATION OF YOUR CLOTHES WASHER

⚠ WARNING: TO REDUCE THE RISK OF FIRE, EXPLOSION, ELECTRIC SHOCK, OR PERSONAL INJURY WHEN USING YOUR WASHER, FOLLOW BASIC SAFETY PRECAUTIONS INCLUDING THE FOLLOWING:

1. READ ALL INSTRUCTIONS CAREFULLY BEFORE USING THE WASHER. RETAIN ALL INSTRUCTIONS FOR FUTURE REFERENCE.

2. PROPERLY INSTALL AND LOCATE in accordance with the Installation Instructions.

MUST BE PROPERLY GROUNDED-See Installation Instructions.

SHOULD ANYONE get an ELECTRIC SHOCK from the washer, disconnect electrical power. **DO NOT OPERATE** until it has been repaired by a qualified service technician.

INSTALL OR STORE where it will NOT be exposed to temperatures below freezing or exposed to the weather.

CONNECT to a properly rated, protected, and sized power supply circuit. See Electrical Requirements.

CONNECT to adequate plumbing and drain facilities.

HAVE A QUALIFIED SERVICE TECHNICIAN install your washer.

3. TO PREVENT INJURY TO CHILDREN:

DO NOT ALLOW children to play inside, on, or with the washer.

CLOSE SUPERVISION of children is necessary when using washer.

WHEN CHILDREN are mature enough, instruct them in the safe, correct use of the washer.

KEEP ALL LAUNDRY AIDS out of the reach of children preferably in a locked cabinet. USE laundry aids only as directed by manufacturer observing all warnings on container labels.

DESTROY THE CARTON AND PLASTIC BAGS after unpacking the washer. Cartons covered with rugs, bedspreads, or plastic sheet can create a chamber with inadequate ventilation.

REMOVE THE DOOR to the washing compartment before the washer is removed from service or discarded.

4. **DO NOT REACH INTO** the washer if the tub or agitator is moving. The washer is equipped with a safety switch for your protection. If action does not stop when the washer lid is opened during the Spin Cycle, disconnect the electrical power to the washer. Do not operate the washer until it has been repaired by a qualified service technician.

5. **DO NOT TAMPER** with the Operating Controls.

6. **TO PREVENT PERSONAL INJURY** and damage to the washer, **DO NOT** repair or replace any part of the washer or attempt any servicing. **SERVICING** should be referred to a qualified service technician.

7. **DO NOT WASH FIBERGLASS ARTICLES** unless recommended by manufacturer.

8. **FLAME RETARDANT FINISHES** - improper laundering could remove them. **FOLLOW** garment manufacturer's instructions carefully.

9. **WHEN MOVING**, have the washer checked and properly installed by a qualified service technician.

⚠ WARNING

10. **DO NOT ADD** gasoline, dry-cleaning solvents, or other flammable or explosive substances to the wash water. These substances give off vapors that could ignite or explode.

11. **DO NOT WASH ARTICLES** which have been previously cleaned, washed, soaked, or spotted with gasoline, dry-cleaning solvents, oil, waxes, chemical solvents, alcohol, turpentine, or other flammable or explosive materials. These substances will be retained in articles, and articles which still contain these flammable or explosive substances give off vapors that could ignite or explode.

12. **OBSERVE THESE PRECAUTIONS WHEN USING CLEANING FLUIDS, SPOT OR STAIN REMOVERS, ETC.**

Products should be labeled "NONFLAMMABLE," Use according to **MANUFACTURER'S DIRECTIONS** in a well **VENTILATED AREA** or outdoors. Thoroughly **RINSE ARTICLES** by hand before placing them in the washer. Some of these products-rust removers for example - will damage components and the finish of the washer.

FIRE HAZARD

13. **KEEP AREA** around and underneath washer free from the accumulation of combustible materials, such as lint, paper, rags, gasoline, and all other flammable vapors and liquids.

14. **HYDROGEN GAS IS EXPLOSIVE** and under certain conditions, hydrogen gas may be produced in a hot water system that has not been used for two weeks or more. If the hot water system has not been used for such a period, **BEFORE USING THE WASHER**, turn on all hot water faucets and let the water flow from each faucet for several minutes. This will release any accumulated hydrogen gas. As this gas is flammable, **DO NOT SMOKE** or use an open flame during this procedure.

15. Recent studies have shown that if vegetable oil contaminated materials are incompletely washed a carry-over and buildup of the oil may contribute to a chemical reaction (spontaneous combustion) that could cause a load to catch fire by itself. This would be more likely to happen if the load were left in the dryer after tumbling stopped or if items were folded and stacked while warm.

For service, call or write the authorized dealer in your area or write:

MAYTAG CUSTOMER SERVICE
240 Edwards Street S.E., Cleveland, Tennessee 37311

Attn: Customer Relations Dept.

1-800-688-1120

SAVE THESE INSTRUCTIONS

PRINTED IN U.S.A.

Part No. 35-4502-1